

Description

3C-LINK 3C-OEO-TGISS series products are high-performance 10G optical signals Repeaters, realize the optical signal equilibrium amplification, clock extraction and plastic regeneration, extended optical signal transmission distance greatly.

Using Optical - Electrical - Optical wavelength conversion and WDM (DWDM/CWDM) technology, cooperate WDM device can achieve optical signals transmit in a single fiber by single or multiple way over a long distance.

Connection between fiber to fiber 10Gbps Ethernet equipment function as fiber mode converter, or as fiber repeater for long distance transmission.

Key Benefits

- 2 Support 10G SFP+ to SFP Converter
- 2 support ITUT prescribed DWDM/CWDM wavelength
- 2 transmission rate:9.95 Gb/s - 11.35 Gb/s
- 2 Transparent Transport for data, less delay
- 2 3R function (balanced amplification, Timing Clock Obtaining , Shapping and regeneration), good dispersion management function, data transmission rippon at low.
- 2 support hot plugging
- 2 state indicator light is complete
- 2 Easy installation

Applications

- 2 Broadband Systems
- 2 Optical Add/Drop Multiplexing
- 2 Metro/Access Communication Networks
- 2 SDH/SONET STM-64/OC-192
- 2 10G fiber channel,
- 2 10G Ethernet,CWDM/DWDM



Specifications

Performance Data	Technical Indexes
Equipment function	3R Repeater
Transmission Speed	10Gb/s (9.95Gb/s-11.35Gb/s)
Protocols	IEEE802.3ae (10Gbase-R/LRM)
Access Type	10G LAN/ 10G LAN
Interface Type	A Type: SFP+ To/From SFP+
Transmission Distance	SFP+ module: Up to 80Km
Maximum Packet	14,880,950/S
power requirement	Rack-mountable : AC 85 ~ 220V OR DC -48V Standalone: AC 220V OR -48V Power consumption: ≤4W
Work Environment	Operating Temp: 0~ 50 °C Storage Temp: -10~ 70 °C Humidity: 5%~90% (non-condensing)
Dimension	Standalone : 156mm (W) × 128mm (D) × 32mm (H)

Ordering Code

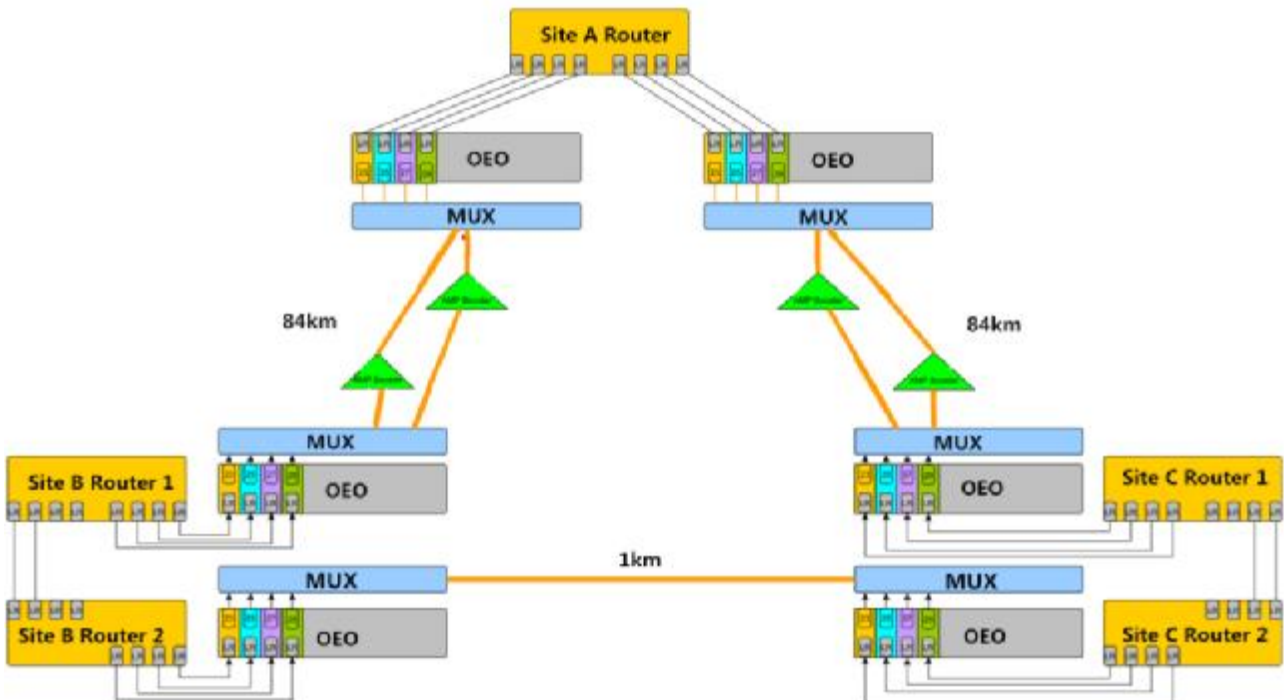
3C-OEO-TGI

3C-OEO-TGISS	10G SFP+ TO SFP+ SLOTS, STANDALONE, AC110-220V
SFP+ SLOTS AVAILABLE SFP+ TRANSCEIVER	
3C-SFP+-SR	SFP+ 10GBASE-SR (DUAL LC/300M/850NM/MULTI-MODE)
3C- SFP+-LR	SFP+ 10GBASE-LR (DUAL LC/10KM/1310NM/SINGLE-MODE)
3C- SFP+-ER	SFP+ 10GBASE-ER (DUAL LC/40KM/1550NM/SINGLE-MODE)
3C- SFP+-ZR	SFP+ 10GBASE-ZR (DUAL LC/80KM/1550NM/SINGLE-MODE)
3CC- SFP+-ER-XX	SFP+ 10GBASE-ER (DUAL LC/40KM/CWDM WAVELENGTH)
3CD- SFP+-ER-XX	SFP+ 10GBASE-ER (DUAL LC/40KM/DWDM WAVELENGTH)
3CD- SFP+-ZR-XX	SFP+ 10GBASE-ER (DUAL LC/80KM/DWDM WAVELENGTH)

Picture



Application:





Specifications are subject to change without notice. It is a registered trademark of 3C-LINK Technology Co., Ltd. Other brands and product names are trademarks or registered trademarks of their respective holders. No part of the specifications can reproduced in any form or by any means or used to make any derivative such as translation, transformation, or adaptation without permission from 3C-LINK Technology Co., Ltd.